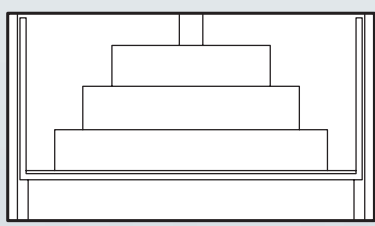
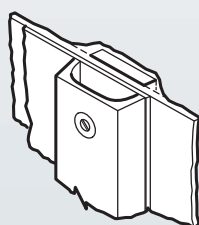
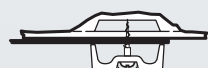
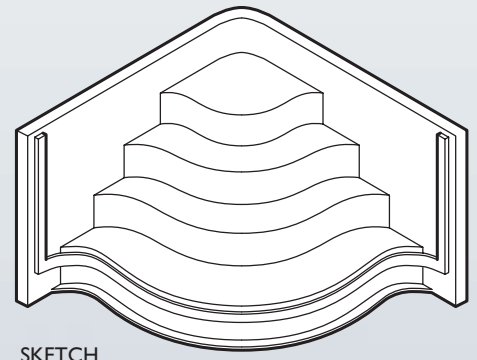


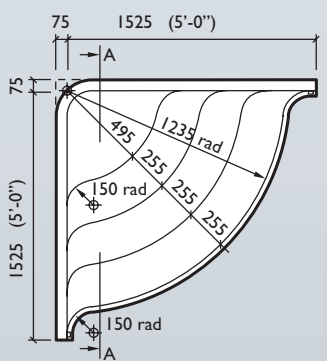
5' X 4' CONSTANT DEPTH CORNER STEP



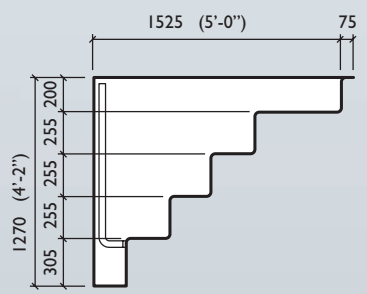
FRONT ELEVATION



SKETCH



PLAN



SECTION 'A-A'